

Power Switch Relay (PSR) Low-Voltage Relay for On/Off Control

Easylite's Power Switch Relay (PSR) module allows for low-voltage ILS control of any 20 Amp AC circuit. With the PSR, you can provide on/off control of non-Easylite fluorescent or incandescent lighting circuits using software, or any Easylite local control device.

Advantages

Schedule non-dimming components of your lighting system

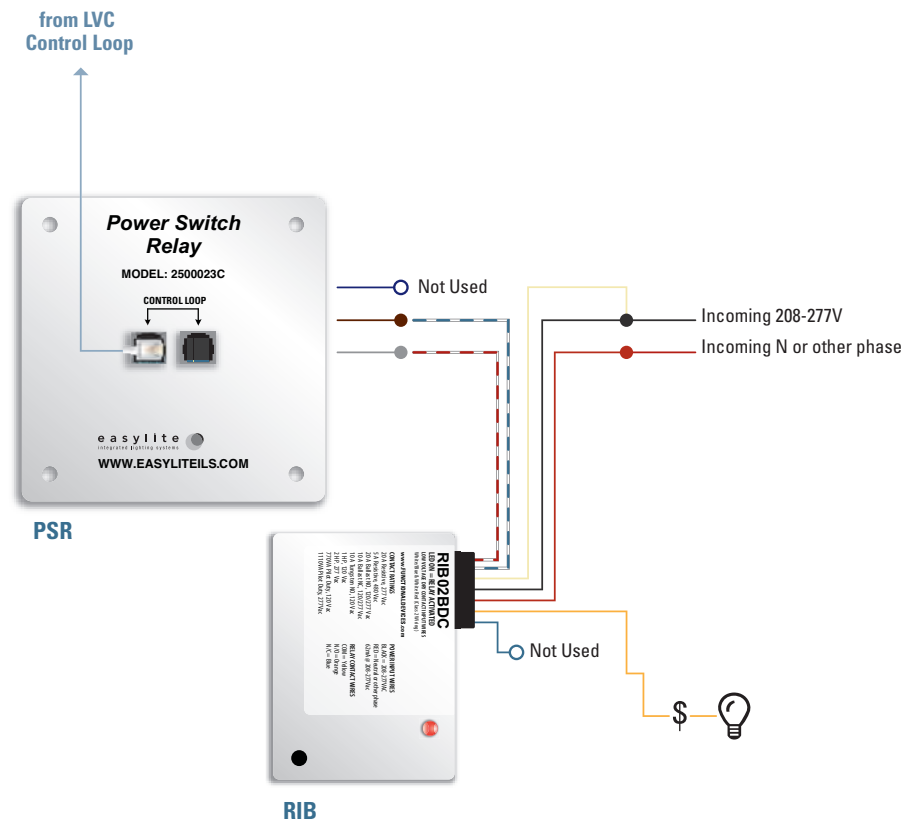
The Power Switch Relay uses the Easylite ILS Plug and Play low voltage wiring system to schedule non-dimming components of your building's lighting system.

20 Amp capacity

One Easylite PSR can turn off any devices within its 20 Amp capacity using software, or an Easylite local control device.

Flexible control

The Easylite PSR lets you control a few fixtures, a circuit, or a bank or circuits, from your computer, on schedule, or in real time using manual override.



Specifications

Five-Year Warranty Plug and Play, ballast power and control

On/off control of fluorescent or incandescent lighting circuits

Compatible with Easylite's Plug and Play low-voltage wiring

20 Amp AC relay capacity

Dimensions

4-1/8" x 4-1/8" x 3/4"

Voltage

0-10 Volt DC control of 120/277 Volt AC